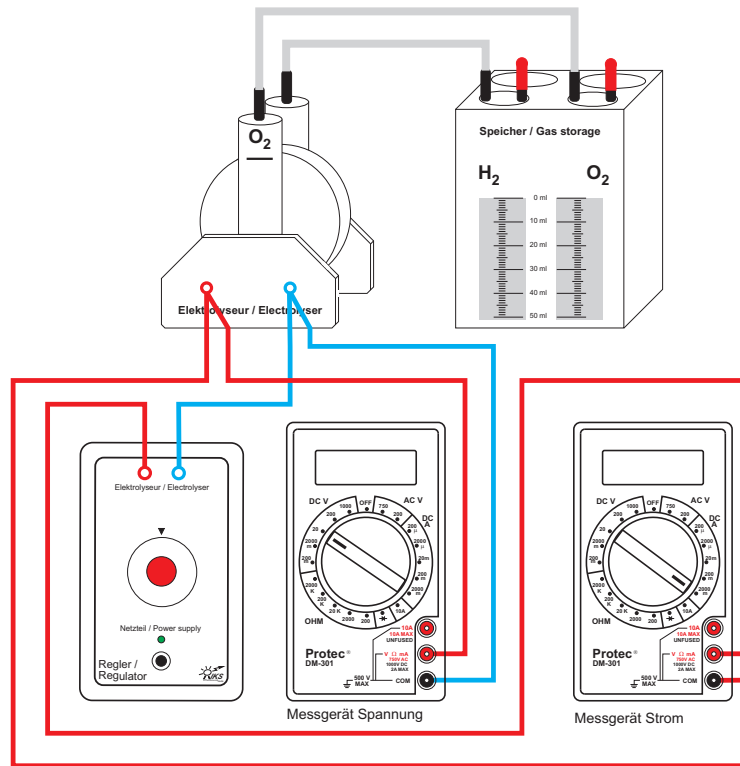
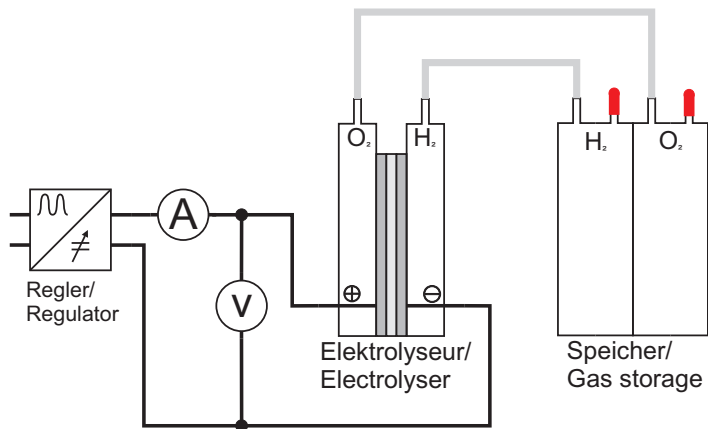


Setup



Circuit diagram



Information

The electric properties of the electrolyser can be seen best when examining the current-voltage characteristic curve. It will be examined more closely in this experiment.

Task

Set up the experiment according to the figure above.

Observe the polarity at the electrolyser!

Close the right connecting sleeves of the gas storage with the fitting caps to prevent gas from streaming out.

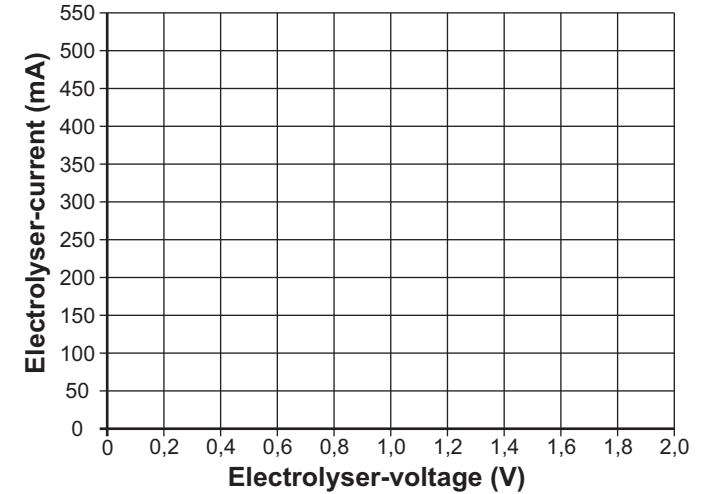
Set the amperemeter to the range 2000 mA DC and the voltmeter to the range 20 V DC.

Conduct measurements with different current values.

Set the pre-determined current value via the regulator and register the corresponding voltage value in the right-hand table.

Current I in mA	Voltage U in V
0	
20	
40	
60	
100	
200	
300	
400	
500	

Current-Voltage characteristic curve of the electrolyser



1. Register the values in the diagram and draw the regression curve.

2. What is noticeable about the current-voltage characteristic curve? Give reasons.

.....

.....

.....

.....

.....

.....

.....

.....

.....